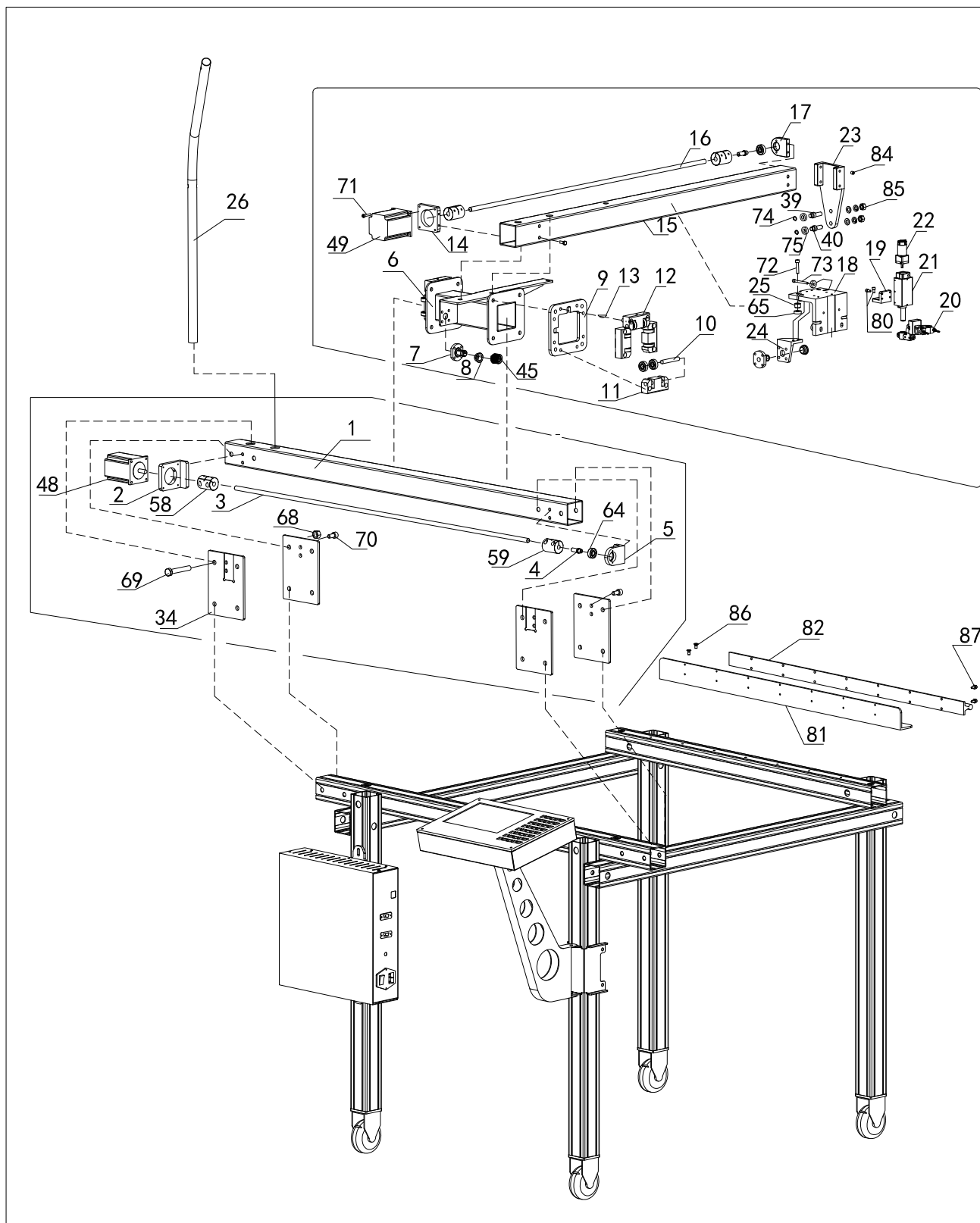
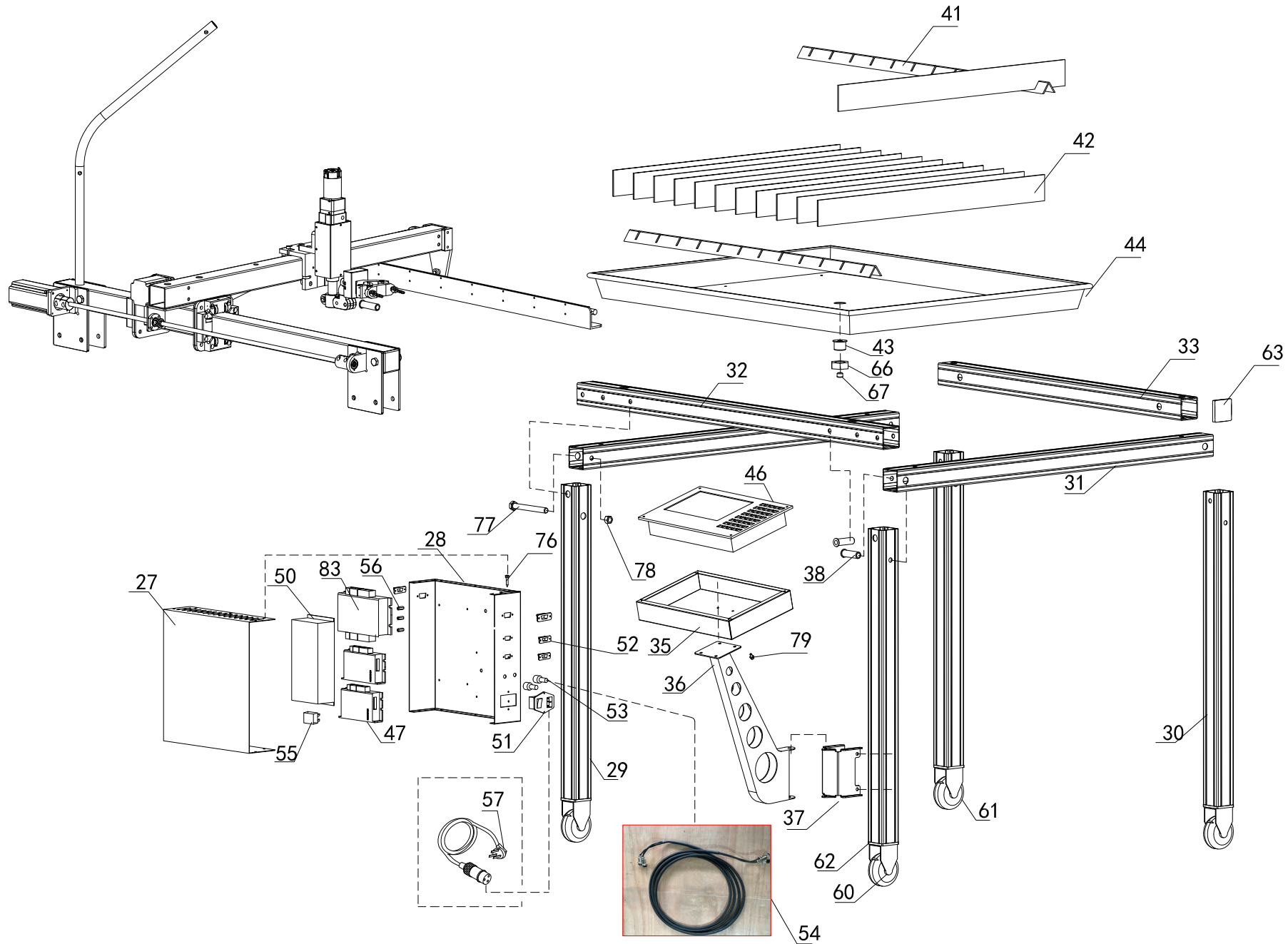


SMART CUT-2200 Exploded view of plasma cutting machine(一)



SMART CUT-2200 Exploded view of plasma cutting machine(二)



SMART-CUT 2200 parts list

2021.08.06

List of machined parts				
SN	Name	Quantity	Specifications	Remarks
1	Longitudinal guide rail	1	Stainless steel	
2	Motor mounting plate	1	LF6	
3	Drive screw rod	1	40Cr	
4	Concentric axis	2	A3	
5	Transverse bearing seat	1	LF6	
6	Transverse frame	1	A3	
7	Plastic nuts	2	nylon	consumables
8	Spring seat	2	nylon	
9	Centering locating plate	2	45	
10	Cylindrical shaft	8	45	
11	Seat for adjusting bearing	4	LF6	
12	t for fixed bearing	4	LF6	
13	Adjusting block	4	40Cr	
14	Transverse motor base	1	LF6	
15	Transverse guide rail	1	Stainless steel	
16	Transverse screw rod	1	40Cr	
17	Longitudinal bearing seat	1	LF6	
18	Lateral moving carrier	1	LF6	
19	Connecting plate	1	LF6	
20	Retainer assembly	1		
21	Lifting body assembly	1		
22	Z-axis motor assembly	1		
23	Auxiliary support seat	1	LF6	
24	Nut seat	1	LF6	
25	Bushing for raising bearing	8	LF6	
26	Brace	1	LF6	
27	System box cover	1	SPCC	
28	System box	1	SPCC	
29	Vertical support (auxiliary)	2	LF6	
30	Vertical support	2	LF6	
31	Transverse support (auxiliary)	2	LF6	
32	Transverse Outrigger	1	LF6	
33	Transverse support	1	LF6	
34	Guide rail clamping plate	4	45	
35	Computer box	1	SPCC	
36	Bracket	1	SPCC	
37	Rotating seat	1	SPCC	
38	Screw sleeve	22	LF6	
39	Eccentric shaft	1	45	
40	Concentric axis	1	45	

SMART-CUT 2200 parts list

2021.08.06

41	Vertical plate frame	2	Stainless steel	
42	Vertical plate	12	Galvanized sheet	
43	Valve	1	Copper	
44	water tank	1	Stainless steel	
45	Spring	2	steel	
81	Plate for fixing guide rail	1	LF6	
82	Cylindrical guide rail	1	SBR12	

List of Electrical parts

SN	Name	Quantity	Specifications	Remarks
46	Numerical control system	1	SF-2100CT	
47	Motor driver	2	422 drive	
48	Stepper motor	1	112	
49	Stepper motor	1	76	
50	Weak power supply	1	HF-240W-S-24	
51	Switch with socket	1		
52	9-core hole D-type socket	3		
53	5.5mm round hole socket	2		
54	Plasma power cable	1		
55	24V relay	1	HK-19F-24V-SHC	
56	Fuse	3		
57	The power plug	1		
83	Cutting torch height controller	1	SF-HC25J2	

List of purchased parts

SN	Name	Quantity	Specifications	Remarks
58	Coupling A	2	28.5*38-9.525*8	
59	Coupling B	2	28.5*38-9.525*6.35	
60	Casters	2	3 inches	
61	Caster universal	2	3 inches	
62	Quincunx nut	4		
63	Plastic plug	16	50*50	
64	Deep groove ball bearing	10	608	
65	Deep groove ball bearing	8	R4Z	
66	1-inch nut	1		
67	Plug	1		
68	Nut	10	3/8	
69	Outer hexagon	10	3/8*3	
70	Inner six angle	22	1/4*3/4	
71	Inner six angle	8	1/4*1/2	
72	Inner six angle	4	1/4*1-1/4	
73	Inner six angle	4	1/4*1-1/2	

SMART-CUT 2200 parts list

2021.08.06

74	Outer circlip	2	φ8	
75	Bearing	2	608	consumables
76	Inner six angle	10	M4	
77	Outer hexagon	10	5/16*4-1/2	
78	Nut	10	5/16	
79	Inner six angle	4	M5	
80	Inner six angle	8	M6	
84	Screw	4	M6	
85	Nut with washer	2	M8	
86	Cross countersunk head bolt	8	M5	
87	Hexagon socket with washer	14	M4	